

Power

Gas Engines for Power Generation

MAN Engines





Contents

Gas Engines for Power Generation

Application Type and Product Range	3
Customized Service Reliability	3
Customer Benefits	3

Description of Engines

E0834	4
E0836	6
E2876	9
E2676	12
E2848	14
E2842	16
E3268	18
E3262	20

Gas Engines for Power Generation

Efficient Electricity and Heat Generation

Manufacturers and operators of CHP applications have strong requirements. Robust, compact engines have to work reliably 24 hours a day, 7 days per week. Economic operation over the life cycle of the entire plant is therefore essential. This requires a high level of efficiency by maximum utilisation of primary energy and low plant operating costs. With their continuous development programme, MAN engines always make a contribution to greater efficiency. Reliable and low in emissions.

Application Type and Product Range

Mode of operation		COP with natural gas		COP with special gas	
at engine speed	rpm (Hz)	1 500 (50)	1 800 (60)	1 500 (50)	1 800 (60)
Type	Cylinders	Power (kW) ¹⁾			
E0834	4	37–68	45–68	68	68
E0836	6	56–110	64–110	110	110
E2676	6	140–220	160–250	220	250
E2876	6	150–220	170–210	130–220	130–200
E2848	8	265	295	265	295
E2842	12	250–420	280–400	420	420
E3268	8	370	390	370	390
E3262	12	275–550	300–580	550	580

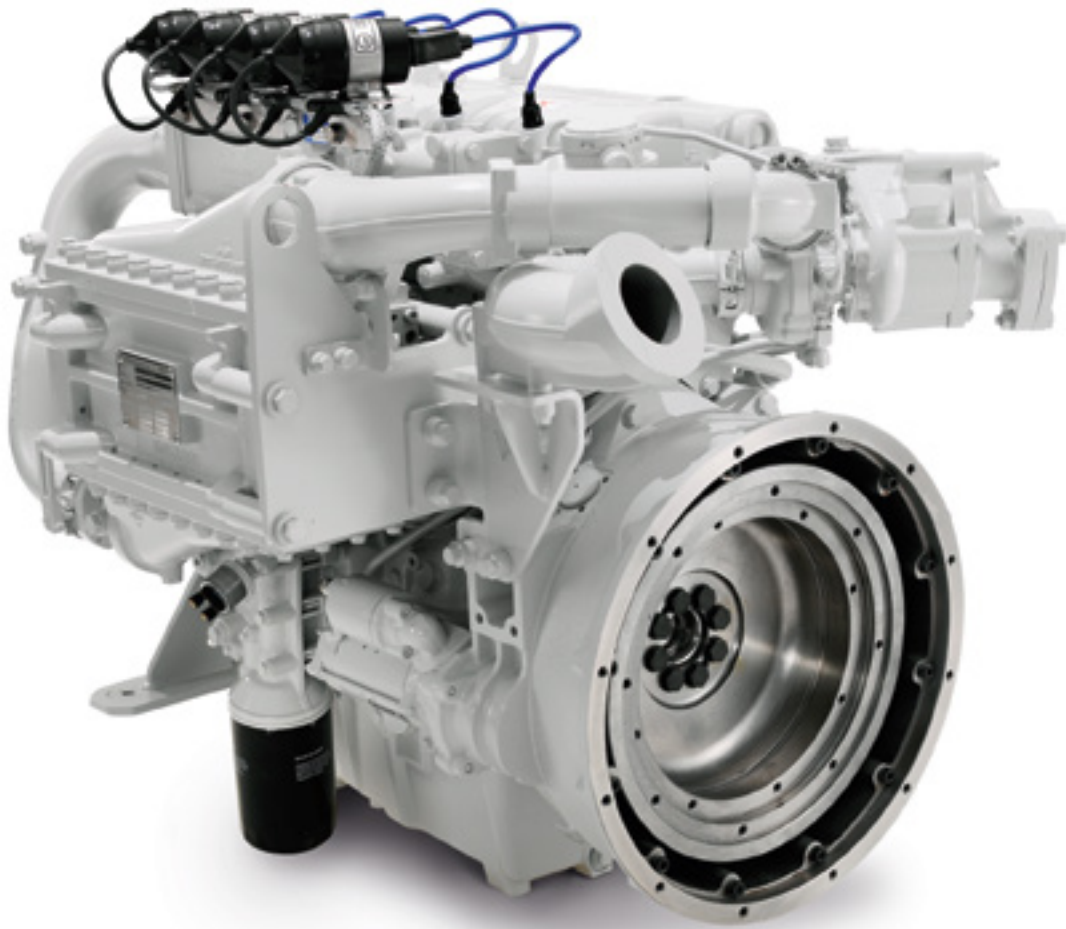
1) in accordance with German Industrial Standard DIN ISO 3046, Part 1

Customized Service Reliability

Low-pollutant and fitted with state-of-the-art combustion technology, MAN natural-gas and special-gas engines pave the way to the future of cogeneration. Energy supply is an essential component for economic success. This is why of course you can always count on our corporation after the purchase should you need help. MAN offers you, as a power unit manufacturer, a customized service concept. With us as your partner, you yourself are to provide the service for your end users. We customize our training courses to match your requirements by employing the in-depth and proven MAN expertise: Reliable and efficient – just like a MAN gas engine.

Customer Benefits

- High power and maximum efficiency
- Low operating costs as a result of low levels of lubricant and fuel consumption as well as extended service intervals (component stability)
- Low emissions due to state-of-the-art combustion technologies
- Low space requirement due to compact design
- Reliable in use thanks to field-tested technology
- Long service life resulting from application-specific design



E0834

Description of Engines

Characteristics E0834 E

- Cylinders and arrangement: 4 cylinders in-line
- Mode of operation: four-stroke spark-ignition gas engine
- Engine cooling: water-cooled
- Exhaust system: water-cooled exhaust pipe

Characteristics E0834 LE

- Cylinders and arrangement: 4 cylinders in-line
- Mode of operation: four-stroke spark-ignition gas engine
- Turbocharging: turbo charger with pressure-oil lubricated bearings and water-cooled bearing pedestal
- Engine cooling: water-cooled
- Air-fuel mixture cooling: two-stage cooler
- Exhaust system: water-cooled exhaust pipe

E0834

Technical Data

Technical features E0834

Mode of operation		COP with natural gas					COP with special gas		
		1 500 (50)			1 800 (60)		1 500 (50)	1 800 (60)	
at engine speed		rpm (Hz)							
		E 312			E 302		LE 302 ⁴⁾		
Engine version		E 312	E 302	LE 302	E 312	E 302	LE 302 ⁴⁾	LE 302	LE 302 ⁴⁾
Bore	mm	108	108	108	108	108	108	108	108
Stroke	mm	125	125	125	125	125	125	125	125
Displacement	l	4.6	4.6	4.6	4.6	4.6	4.6	4.6	4.6
ISO standard power ⁵⁾	kW	37	54	68	45	62	68	68	68
Air-fuel ratio	λ	1.5	1.0	1.6	1.5	1.0	1.6	1.4	1.5
Coolant heat ¹⁾	kW	29	46	54	31	51	54	52	55
Exhaust heat based on 120°C ¹⁾	kW	26	33	33	35	40	37	35	38
Efficiency ¹⁾									
– mechanical ⁵⁾	%	33.5	37.1	39.1	32.5	37.1	38.2	39.0	37.8
– thermal	%	49.1	53.5	53.1	46.8	53.7	51.9	52.0	52.5
– total	%	82.6	90.6	92.2	79.3	90.8	90.1	91.0	90.3
Emissions status NO _x ²⁾	mg/Nm ³	< 500	< 7 000	< 500	< 500	< 7 000	< 500	< 500	< 500
Combustion ³⁾		m	st	m	m	st	m	m	m

1) at 100 % load

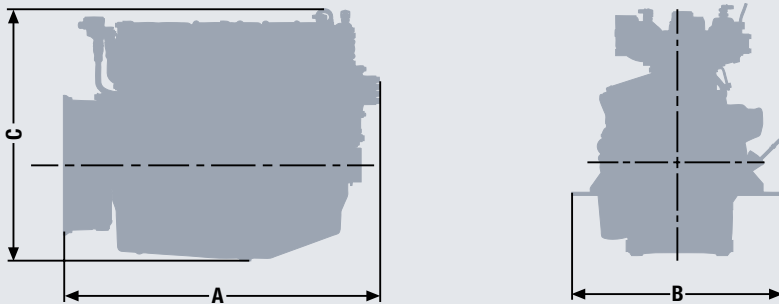
2) with 5 % exhaust-gas oxygen

3) m = lean, st = stoichiometric

4) Data conditional and on request

5) in accordance with German Industrial Standard DIN ISO 3046, Part 1

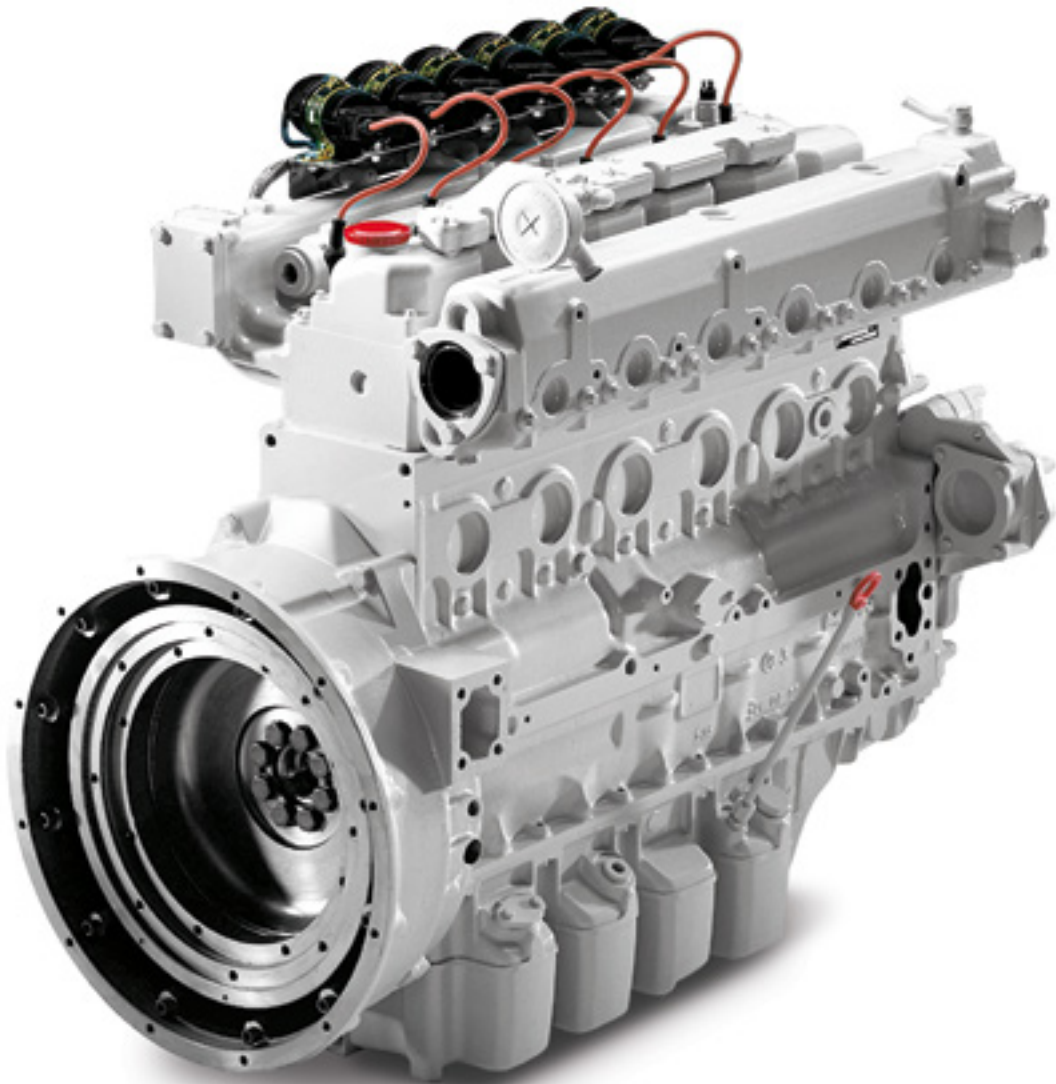
Technical data is based on a calorific fuel value of 10 kWh/Nm³ for natural gas and 6 kWh/Nm³ for special gas. The values are provided for information purposes only and are non-binding.



Dimensions E0834

Type designation		E 312	E 302	LE 302
A-Overall length	mm	862	862	1055
B-Overall width	mm	742	742	809
C-Overall height	mm	870	870	870
Dry weight	kg	430	430	495

All data are reference values. Please request installation drawings for detailed specifications.



E0836

Description of Engines

Characteristics E0836 E

- Cylinders and arrangement: 6 cylinders in-line
- Mode of operation: four-stroke spark-ignition gas engine
- Engine cooling: water-cooled
- Exhaust system: water-cooled exhaust pipe

Characteristics E0836 LE

- Cylinders and arrangement: 6 cylinders in-line
- Mode of operation: four-stroke spark-ignition gas engine
- Turbocharging: turbo charger with pressure-oil lubricated bearings and water-cooled bearing pedestal
- Engine cooling: water-cooled
- Air-fuel mixture cooling: two-stage cooler

E0836

Technical Data

Technical features E0836

Mode of operation		COP with natural gas							
		1 500 (50)				1 800 (60)			
at engine speed		rpm (Hz)							
rpm (Hz)									
Engine version		E 312	E 302	LE 202	LE 302 ⁵⁾	E 312	E 302	LE 202	LE 302 ⁵⁾
Bore	mm	108	108	108	108	108	108	108	108
Stroke	mm	125	125	125	125	125	125	125	125
Displacement	l	6.9	6.9	6.9	6.9	6.9	6.9	6.9	6.9
ISO standard power ⁴⁾	kW	56	75	110	110	64	85	110	110
Air-fuel ratio	λ	1.50	1.00	1.60	1.65	1.50	1.00	1.60	1.68
Coolant heat ¹⁾	kW	41	63	82	82	58	70	89	89
Exhaust heat based on 120°C ¹⁾	kW	37	46	50	50	48	55	51	51
Efficiency ¹⁾									
– mechanical ⁴⁾	%	35.0	37.3	39.0	39.6	33.8	37.0	37.0	38.0
– thermal	%	47.9	53.3	49.0	49.6	55.2	53.6	49.8	52.1
– total	%	82.9	90.6	88.0	89.2	89.0	90.6	86.1	90.1
Emissions status NO _x ²⁾	mg/Nm ³	< 500	< 7 000	< 500	< 500	< 500	< 7 000	< 500	< 500
Combustion ³⁾		m	st	m	m	m	st	m	m

1) at 100 % load

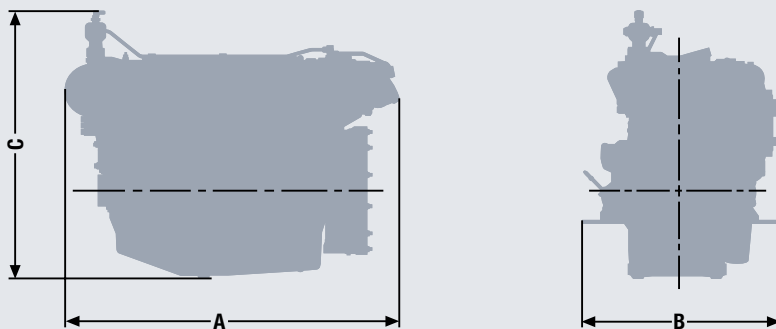
2) with 5 % exhaust-gas oxygen

3) m = lean, st = stoichiometric

4) in accordance with German Industrial Standard DIN ISO 3046, Part 1

5) Data conditional and on request

Technical data is based on a calorific fuel value of 10 kWh/Nm³ for natural gas and 6 kWh/Nm³ for special gas.
The values are provided for information purposes only and are non-binding.



Dimensions E0836

Type designation		E 312	E 302	LE 202/LE 302
A-Overall length	mm	1090	1090	1300
B-Overall width	mm	740	740	740
C-Overall height	mm	930	930	1030
Dry weight	kg	520	520	605

All data are reference values. Please request installation drawings for detailed specifications.

Technical features E0836

Mode of operation		COP with special gas			
		1 500 (50)		1 800 (60)	
at engine speed rpm (Hz)					
Engine version		LE 202	LE 302 ⁵⁾	LE 202	LE 302 ⁵⁾
Bore	mm	108	108	108	108
Stroke	mm	125	125	125	125
Displacement	l	6.9	6.9	6.9	6.9
ISO standard power ⁴⁾	kW	110	110	110	110
Air-fuel ratio	λ	1.40	1.49	1.40	1.45
Coolant heat ¹⁾	kW	85	82	102	98
Exhaust heat based on 120 °C ¹⁾	kW	50	55	51	54
Efficiency ¹⁾					
– mechanical ⁴⁾	%	40.1	39.4	38.6	37.4
– thermal	%	49.3	49.3	53.7	52.0
– total	%	89.4	88.7	92.3	89.4
Emissions status NO _x ²⁾	mg/Nm ³	< 500	< 500	< 500	< 500
Combustion ³⁾		m	m	m	m

1) at 100% load

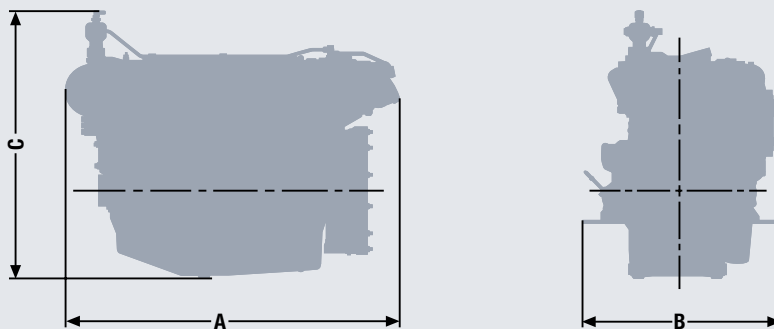
2) with 5% exhaust-gas oxygen

3) m = lean, st = stoichiometric

4) in accordance with German Industrial Standard DIN ISO 3046, Part 1

5) Data conditional and on request

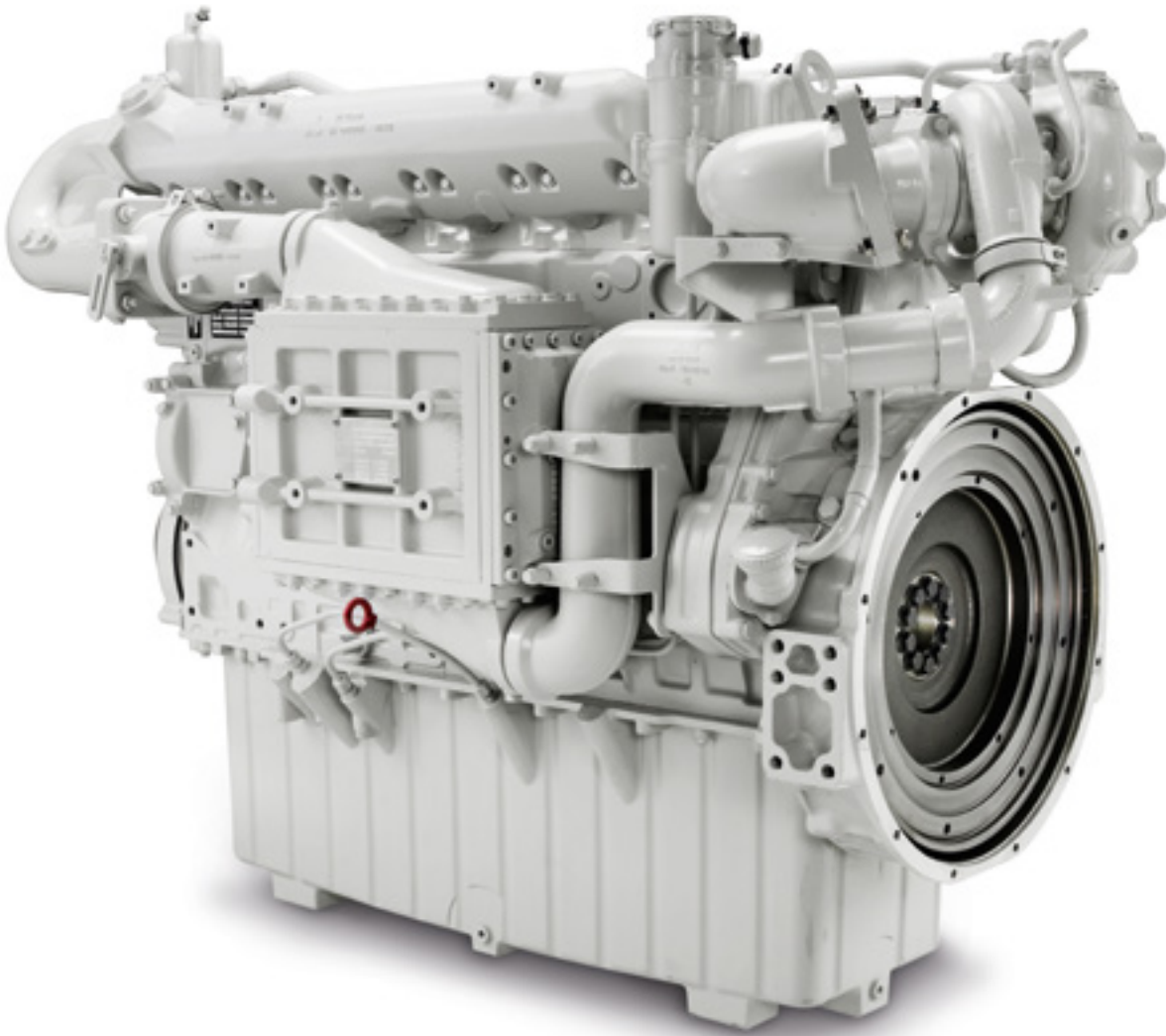
Technical data is based on a calorific fuel value of 10 kWh/Nm³ for natural gas and 6 kWh/Nm³ for special gas.
The values are provided for information purposes only and are non-binding.



Dimensions E0836

Type designation	LE 202/LE 302	
A-Overall length	mm	1300
B-Overall width	mm	740
C-Overall height	mm	1030
Dry weight	kg	605

All data are reference values. Please request installation drawings for detailed specifications.



E2876

Description of Engines

Characteristics E2876 E

- Cylinders and arrangement: 6 cylinders in-line
- Mode of operation: four-stroke spark-ignition gas engine
- Engine cooling: water-cooled
- Exhaust system: water-cooled exhaust pipe

Characteristics E2876 TE and LE

- Cylinders and arrangement: 6 cylinders in-line
- Mode of operation: four-stroke spark-ignition gas engine
- Turbocharging: turbo charger with water-cooled turbine housing and pressure-oil lubricated bearings
- Engine cooling: water-cooled
- Air-fuel mixture cooling: two-stage cooler in the case of LE 302/202/212

E2876

Technical Data

Technical features E2876

Mode of operation		COP with natural gas				
		1 500 (50)			1 800 (60)	
at engine speed rpm (Hz)						
Engine version		E 312	LE 212	LE 302	E 312 ⁴⁾	LE 302
Bore	mm	128	128	128	128	128
Stroke	mm	166	166	166	166	166
Displacement	l	12.8	12.8	12.8	12.8	12.8
ISO standard power ⁵⁾	kW	150	220	210	170	210
Air-fuel ratio	λ	1.0	1.6	1.6	1.0	1.6
Coolant heat ¹⁾	kW	128	110	99	145	106
Exhaust heat based on 120 °C ¹⁾	kW	79	118	143	98	157
Efficiency ¹⁾						
– mechanical ⁵⁾	%	39.2	41.0	39.4	38.2	37.6
– thermal	%	52.8	46.0	48.9	54.1	50.7
– total	%	92.0	87.0	88.3	92.3	88.3
Emissions status NO _x ²⁾	mg/Nm ³	< 4 500	< 500	< 500	< 4 250	< 500
Combustion ³⁾		st	m	m	st	m

1) at 100 % load

2) with 5 % exhaust-gas oxygen

3) m = lean, st = stoichiometric

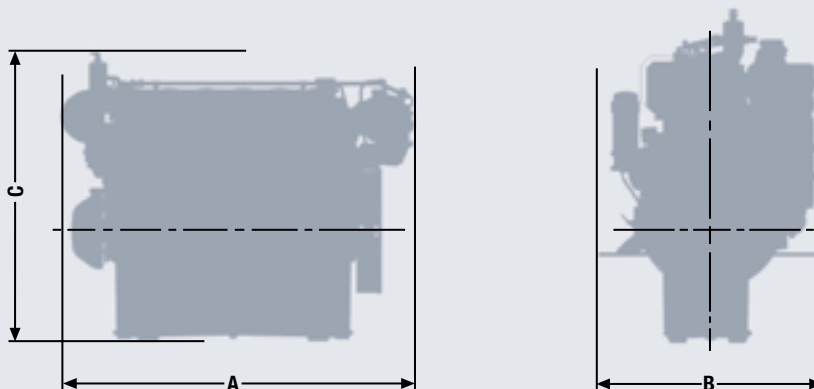
4) Data conditional and on request

5) in accordance with German Industrial Standard DIN ISO 3046, Part 1

6) technical data is based on 5 kWh/Nm³

Technical data is based on a calorific fuel value of 10 kWh/Nm³ for natural gas and 6 kWh/Nm³ for special gas.

The values are provided for information purposes only and are non-binding.



Dimensions E2876

Type designation		E 312	LE 212	LE 302
A-Overall length	mm	1 330	1 520	1 520
B-Overall width	mm	830	830	830
C-Overall height	mm	1 166	1 226	1 226
Dry weight	kg	830	985	990

All data are reference values. Please request installation drawings for detailed specifications.

Technical features E2876

Mode of operation		COP with special gas			
		1 500 (50)		1 800 (60)	
at engine speed rpm (Hz)					
Engine version		TE 302	LE 202 ⁶⁾	TE 302	LE 302
Bore	mm	128	128	128	128
Stroke	mm	166	166	166	166
Displacement	l	12.8	12.8	12.8	12.8
ISO standard power ⁵⁾	kW	130	220	130	200
Air-fuel ratio	λ	1.4	1.4	1.4	1.4
Coolant heat ¹⁾	kW	124	103	132	106
Exhaust heat based on 120 °C ¹⁾	kW	57	127	60	137
Efficiency ¹⁾					
– mechanical ⁵⁾	%	38.0	41.2	36.6	39.1
– thermal	%	52.8	44.7	54.0	50.8
– total	%	90.8	85.9	90.6	89.9
Emissions status NO _x ²⁾	mg/Nm ³	< 500	< 500	< 500	< 500
Combustion ³⁾		m	m	m	m

1) at 100 % load

2) with 5 % exhaust-gas oxygen

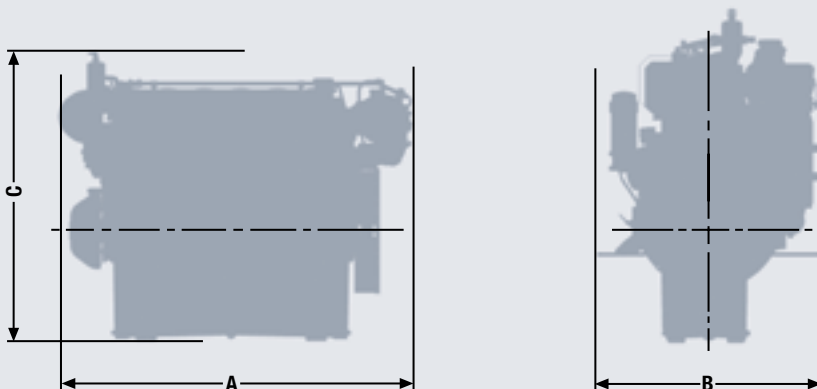
3) m = lean, st = stoichiometric

4) Data conditional and on request

5) in accordance with German Industrial Standard DIN ISO 3046, Part 1

6) technical data is based on 5 kWh/Nm³

Technical data is based on a calorific fuel value of 10 kWh/Nm³ for natural gas and 6 kWh/Nm³ for special gas. The values are provided for information purposes only and are non-binding.



Dimensions E2876

Type designation		TE 302	LE 202	LE 302
A-Overall length	mm	1 545	1 520	1 520
B-Overall width	mm	835	830	830
C-Overall height	mm	1 226	1 226	1 226
Dry weight	kg	920	985	990

All data are reference values. Please request installation drawings for detailed specifications.



E2676

Description of Engines

Characteristics E2676 E

- Cylinders and arrangement: 6 cylinders in-line
- Mode of operation: four-stroke spark-ignition gas engine
- Engine cooling: water-cooled
- Exhaust system: water-cooled exhaust pipes

Characteristics E2676 LE

- Cylinders and arrangement: 6 cylinders in-line
- Mode of operation: four-stroke spark-ignition gas engine
- Turbocharging: turbo charger with water-cooled turbine housing and pressure-oil lubricated bearings
- Engine cooling: water-cooled
- Air-fuel mixture cooling: two-stage cooler

E2676

Technical Data

Technical features E2676

Mode of operation		COP with natural gas						COP with special gas		
		1 500 (50)			1 800 (60)			1 500 (50)	1 800 (60)	
at engine speed rpm (Hz)										
Engine version		E 302 ⁴⁾	LE 202 ⁴⁾	LE 202	E 302 ⁴⁾	LE 202 ⁴⁾	LE 202	LE 212 ⁴⁾	LE 212	LE 212
Bore	mm	126	126	126	126	126	126	126	126	126
Stroke	mm	166	166	166	166	166	166	166	166	166
Displacement	l	12.4	12.4	12.4	12.4	12.4	12.4	12.4	12.4	12.4
ISO standard power ⁵⁾	kW	140	220	220	160	250	250	220	220	250
Air-fuel ratio	λ	1.00	1.73	1.73	1.00	1.74	1.72	1.57	1.62	1.61
Coolant heat ¹⁾	kW	107	113	110	122	124	113	109	108	121
Exhaust heat based on 120 °C ¹⁾	kW	86	130	121	104	156	148	131	113	137
Efficiency ¹⁾										
– mechanical ⁵⁾	%	39.3	41.3	43.4	38.7	39.4	41.1	40.2	42.2	40.3
– thermal	%	54.2	47.8	46.8	54.7	49.1	46.4	49.1	44.1	46.4
– total	%	93.5	89.1	90.2	93.4	88.5	87.5	89.3	86.3	86.7
Emissions status NO _x ²⁾	mg/Nm ³	< 5 700	< 250	< 500	< 6 500	< 250	< 500	< 250	< 500	< 500
Combustion ³⁾		st	m	m	st	m	m	m	m	m

1) at 100 % load

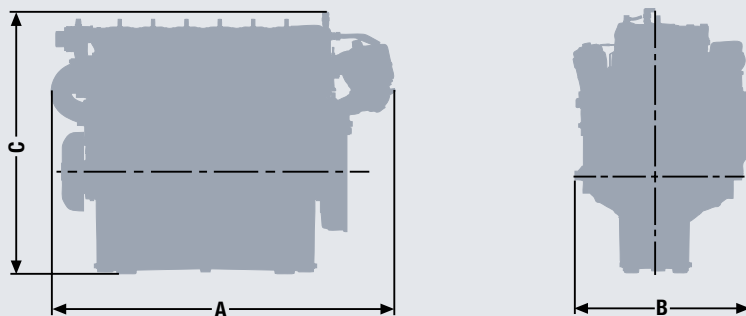
2) with 5 % exhaust-gas oxygen

3) m = lean, st = stoichiometric

4) Data conditional and on request

5) in accordance with German Industrial Standard DIN ISO 3046, Part 1

Technical data is based on a calorific fuel value of 10 kWh/Nm³ for natural gas and 6 kWh/Nm³ for special gas. The values are provided for information purposes only and are non-binding.



Dimensions E2676

Type designation		E 302	LE 202	LE 212
A-Overall length	mm	1 594	1 589	1 589
B-Overall width	mm	936	808	808
C-Overall height	mm	1 175	1 206	1 206
Dry weight	kg	967	985	985

All data are reference values. Please request installation drawings for detailed specifications.



E2848

Description of Engines

Characteristics E2848 LE

- Cylinders and arrangement: 8 cylinders in 90° V arrangement
- Mode of operation: four-stroke spark-ignition gas engine
- Turbocharging: turbo charger with water-cooled turbine housing and pressure-oil lubricated bearings
- Engine cooling: water-cooled
- Air-fuel mixture cooling: two-stage cooler

E2848

Technical Data

Technical features E2848

Mode of operation		COP with natural gas		COP with special gas	
at engine speed	rpm (Hz)	1 500 (50)	1 800 (60)	1 500 (50)	1 800 (60)
Engine version		LE 322	LE 322	LE 322	LE 322
Bore	mm	128	128	128	128
Stroke	mm	142	142	142	142
Displacement	l	14.6	14.6	14.6	14.6
ISO standard power ⁴⁾	kW	265	295	265	295
Air-fuel ratio	λ	1.60	1.60	1.45	1.45
Coolant heat ¹⁾	kW	130	160	152	182
Exhaust heat based on 120 °C ¹⁾	kW	147	180	160	194
Efficiency ¹⁾					
– mechanical ⁴⁾	%	39.0	38.0	40.2	37.7
– thermal	%	48.7	53.0	49.6	51.9
– total	%	87.6	91.0	89.8	89.6
Emissions status NO _x ²⁾	mg/Nm ³	< 500	< 500	< 500	< 500
Combustion ³⁾		m	m	m	m

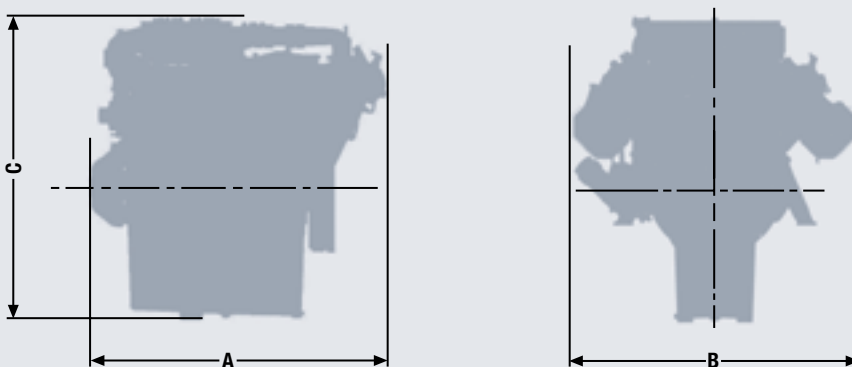
1) at 100 % load

2) with 5 % exhaust-gas oxygen

3) m = lean, st = stoichiometric

4) in accordance with German Industrial Standard DIN ISO 3046, Part 1

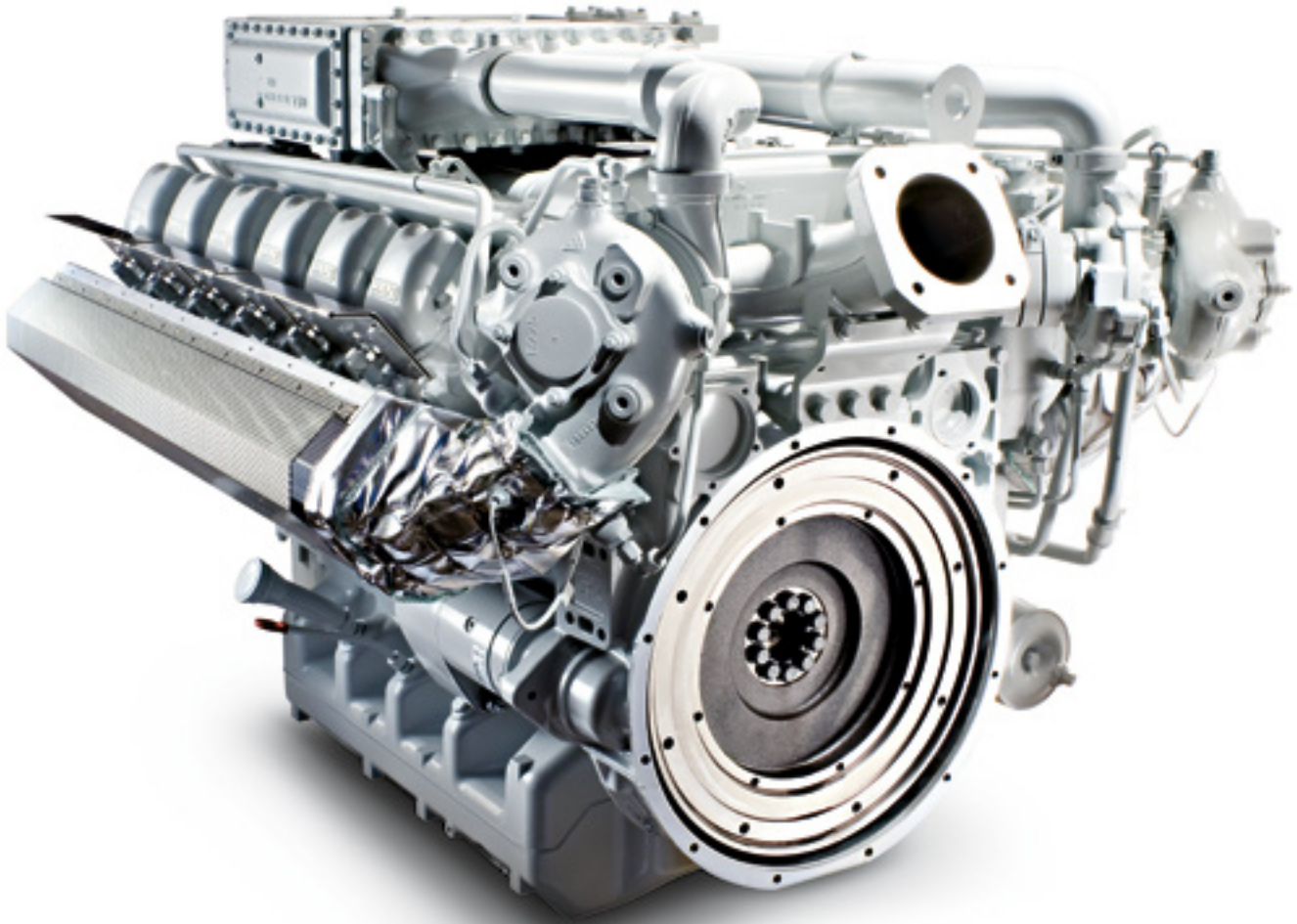
Technical data is based on a calorific fuel value of 10 kWh/Nm³ for natural gas and 6 kWh/Nm³ for special gas. The values are provided for information purposes only and are non-binding.



Dimensions E2848

Type designation		LE 322
A-Overall length	mm	1 210
B-Overall width	mm	1 172
C-Overall height	mm	1 340
Dry weight	kg	1 200

All data are reference values. Please request installation drawings for detailed specifications.



E2842

Description of Engines

Characteristics E2842 E

- Cylinders and arrangement: 12 cylinders in 90° V arrangement
- Mode of operation: four-stroke spark-ignition gas engine
- Engine cooling: water-cooled
- Exhaust system: water-cooled exhaust pipes

Characteristics E2842 LE

- Cylinders and arrangement: 12 cylinders in 90° V arrangement
- Mode of operation: four-stroke spark-ignition gas engine
- Turbocharging: turbo charger with water-cooled turbine housing and pressure-oil lubricated bearings
- Engine cooling: water-cooled
- Air-fuel mixture cooling: two-stage cooler

E2842

Technical Data

Technical features E2842

Mode of operation		COP with natural gas				COP with special gas	
		1 500 (50)		1 800 (60)		1 500 (50)	1 800 (60)
Engine version		E 312	LE 322	E 312 ⁴⁾	LE 332 ⁴⁾	LE 202	LE 322 ⁴⁾
at engine speed	rpm (Hz)	1 500 (50)		1 800 (60)		1 500 (50)	1 800 (60)
Bore	mm	128	128	128	128	128	128
Stroke	mm	142	142	142	142	142	142
Displacement	l	21.9	21.9	21.9	21.9	21.9	21.9
ISO standard power ⁵⁾	kW	250	420	280	400	420	420
Air-fuel ratio	λ	1.00	1.60	1.00	1.60	1.45	1.45
Coolant heat ¹⁾	kW	225	236	253	218	257	264
Exhaust heat based on 120°C ¹⁾	kW	153	222	172	242	233	262
Efficiency ¹⁾							
– mechanical ⁵⁾	%	37.5	40.2	37.5	39.2	40.0	38.4
– thermal	%	56.0	49.1	56.3	50.3	50.2	52.3
– total	%	93.5	89.3	93.8	89.5	90.2	90.7
Emissions status NO _x ²⁾	mg/Nm ³	< 5 000	< 500	< 5 000	< 500	< 500	< 500
Combustion ³⁾		st	m	st	m	m	m

1) at 100 % load

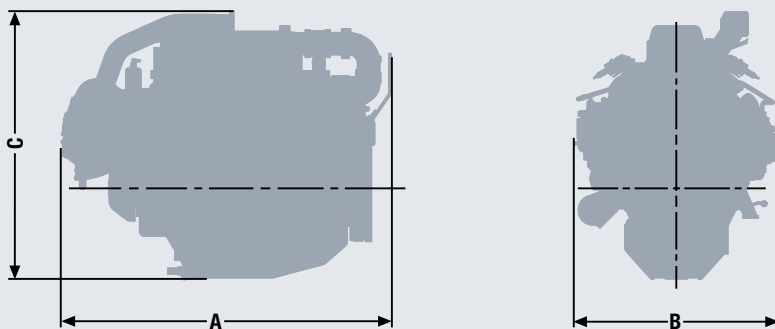
2) with 5 % exhaust-gas oxygen

3) m = lean, st = stoichiometric

4) Data conditional and on request

5) in accordance with German Industrial Standard DIN ISO 3046, Part 1

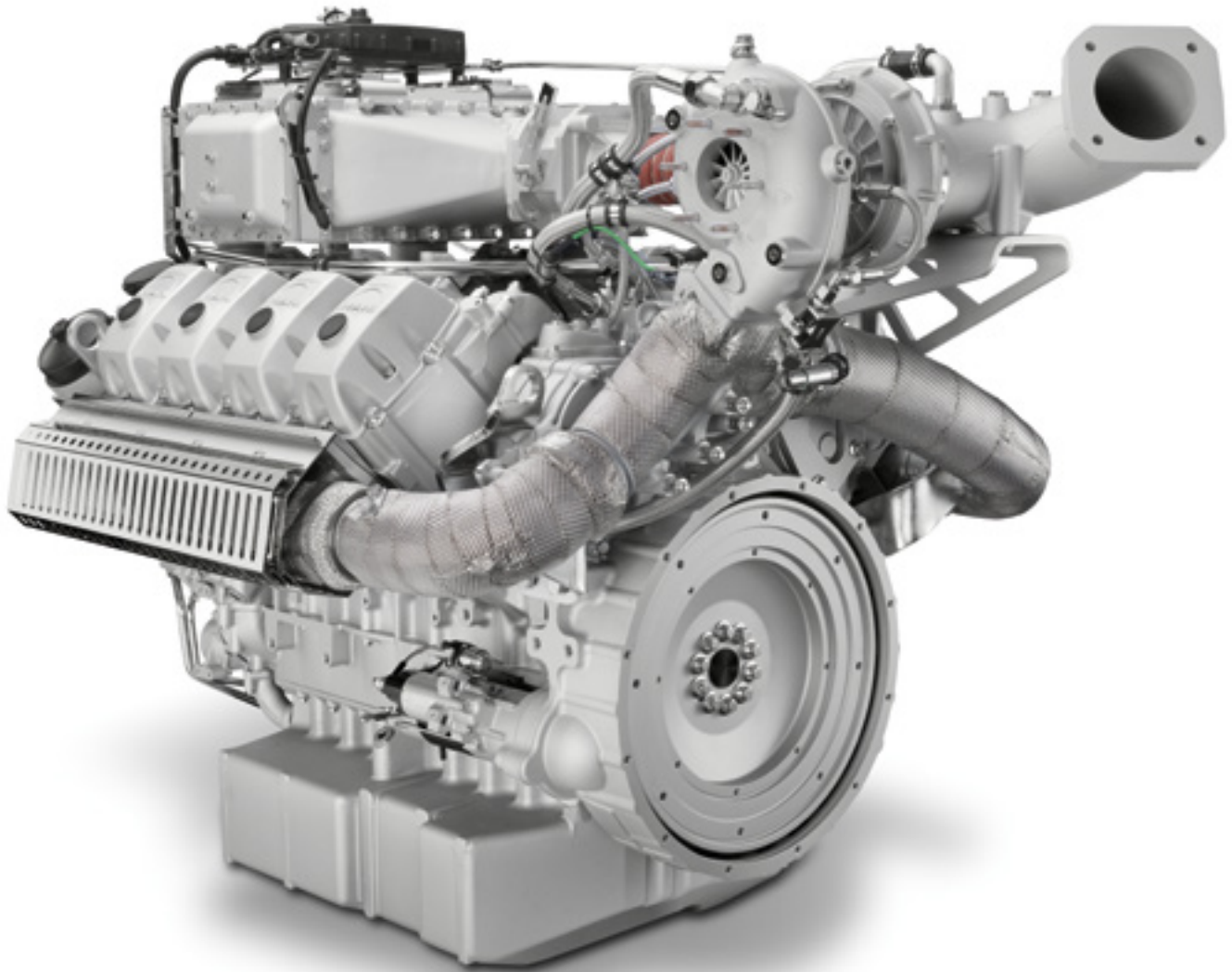
Technical data is based on a calorific fuel value of 10 kWh/Nm³ for natural gas and 6 kWh/Nm³ for special gas. The values are provided for information purposes only and are non-binding.



Dimensions E2842

Type designation		E 312	LE 322/LE 332/LE 202
A-Overall length	mm	1 490	1 570
B-Overall width	mm	1 265	1 142
C-Overall height	mm	1 240	1 155
Dry weight	kg	1 300	1 420

All data are reference values. Please request installation drawings for detailed specifications.



E3268

Description of Engines

Characteristics E3268 LE

- Cylinders and arrangement: 8 cylinders in 90° V arrangement
- Mode of operation: four-stroke spark-ignition gas engine
- Turbocharging: turbo charger with water-cooled turbine housing and pressure-oil lubricated bearings
- Engine cooling: water-cooled
- Air-fuel mixture cooling: two-stage cooler

E3268

Technical Data

Technical features E3268

Mode of operation		COP with natural gas		COP with special gas			
at engine speed	rpm (Hz)	1 500 (50)	1 800 (60)	1 500 (50)	1 800 (60)		
Engine version		LE 212	LE 212 ⁴⁾	LE 222 ⁴⁾	LE 222	LE 232 ⁴⁾	LE 222 ⁴⁾
Bore	mm	132	132	132	132	132	132
Stroke	mm	157	157	157	157	157	157
Displacement	l	17.2	17.2	17.2	17.2	17.2	17.2
ISO standard power ⁵⁾	kW	370	390	370	370	370	390
Air-fuel ratio	λ	1.69	1.69	1.49	1.52	1.46	1.51
Coolant heat ¹⁾	kW	225	229	239	214	229	223
Exhaust heat based on 120 °C ¹⁾	kW	201	233	224	198	223	235
Efficiency ¹⁾							
– mechanical ⁵⁾	%	42.6	40.0	39.7	42.1	40.1	40.8
– thermal	%	47.2	47.7	49.5	46.9	48.9	47.9
– total	%	89.9	87.7	89.2	89.0	89.0	88.7
Emissions status NO _x ²⁾	mg/Nm ³	< 500	< 500	< 250	< 500	< 500	< 500
Combustion ³⁾		m	m	m	m	m	m

1) at 100% load

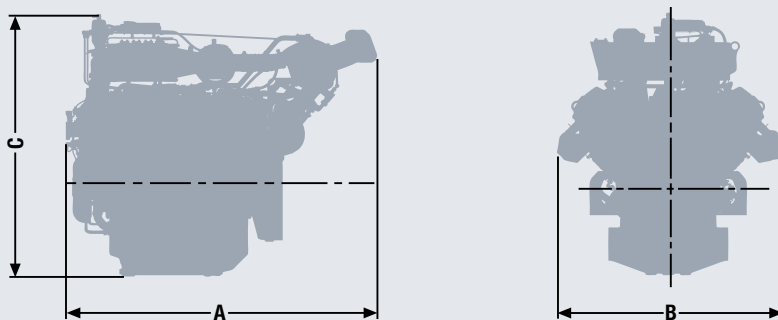
2) with 5% exhaust-gas oxygen

3) m = lean, st = stoichiometric

4) Data conditional and on request

5) in accordance with German Industrial Standard DIN ISO 3046, Part 1

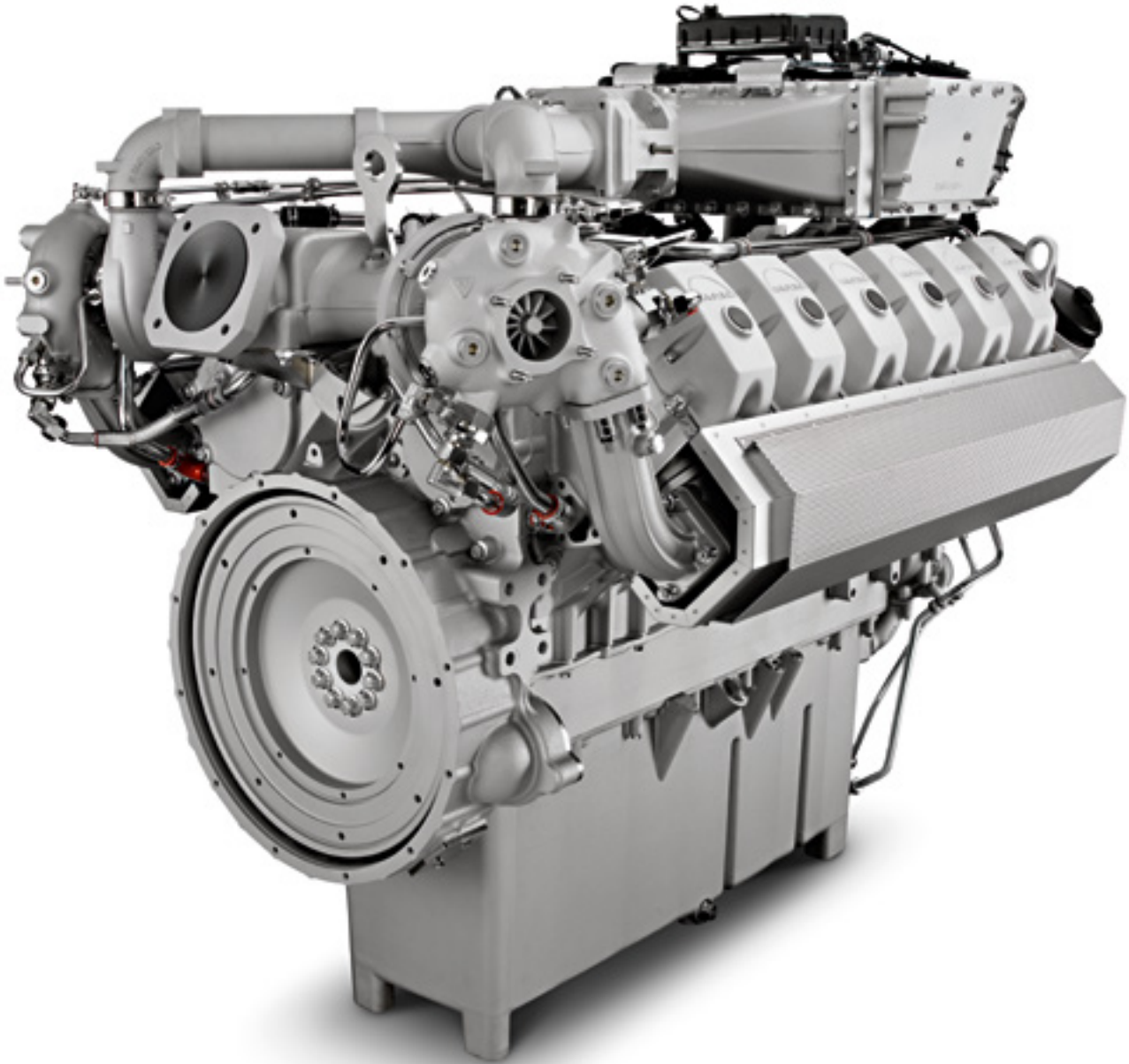
Technical data is based on a calorific fuel value of 10 kWh/Nm³ for natural gas and 6 kWh/Nm³ for special gas. The values are provided for information purposes only and are non-binding.



Dimensions E3268

Type designation		LE 212/LE 222/LE224/LE232
A-Overall length	mm	1 620
B-Overall width	mm	1 210
C-Overall height	mm	1 422
Dry weight	kg	1 497

All data are reference values. Please request installation drawings for detailed specifications.



E3262

Description of Engines

Characteristics E3262 E

- Cylinders and arrangement: 12 cylinders in 90° V arrangement
- Mode of operation: four-stroke spark-ignition gas engine
- Engine cooling: water-cooled
- Exhaust system: water-cooled exhaust pipes

Characteristics E3262 LE

- Cylinders and arrangement: 12 cylinders in 90° V arrangement
- Mode of operation: four-stroke spark-ignition gas engine
- Turbocharging: turbo charger with water-cooled turbine housing and pressure-oil lubricated bearings
- Engine cooling: water-cooled
- Air-fuel mixture cooling: two-stage cooler

E3262

Technical Data

Technical features E3262

Mode of operation		COP with natural gas					COP with special gas				
		1 500 (50)			1 800 (60)		1 500 (50)		1 800 (60)		
at engine speed		rpm (Hz)		1 500 (50)		1 800 (60)		1 500 (50)		1 800 (60)	
Engine version		E 302 ⁴⁾	LE 202	LE 202	E 302 ⁴⁾	LE 202	LE 202	LE 212 ⁴⁾	LE 202 ⁴⁾	LE 212 ⁴⁾	
Bore	mm	132	132	132	132	132	132	132	132	132	
Stroke	mm	157	157	157	157	157	157	157	157	157	
Displacement	l	25.8	25.8	25.8	25.8	25.8	25.8	25.8	25.8	25.8	
ISO standard power ⁵⁾	kW	275	550	550	300	580	550	550	580	580	
Air-fuel ratio	λ	1.00	1.68	1.68	1.00	1.70	1.55	1.60	1.52	1.56	
Coolant heat ¹⁾	kW	218	358	336	239	392	339	321	397	384	
Exhaust heat based on 120 °C ¹⁾	kW	157	329	312	187	339	315	302	375	347	
Efficiency ¹⁾											
– mechanical ⁵⁾	%	39.6	40.3	41.7	38.7	40.0	41.8	42.1	38.9	40.1	
– thermal	%	54.0	50.2	48.3	54.9	49.9	48.1	46.9	51.6	49.8	
– total	%	93.6	90.5	90.0	93.6	89.9	89.9	89.0	90.4	89.8	
Emissions status NO _x ²⁾	mg/Nm ³	< 7 000	< 250	< 500	< 7 000	< 500	< 500	< 500	< 500	< 500	
Combustion ³⁾		st	m	m	st	m	m	m	m	m	

1) at 100 % load

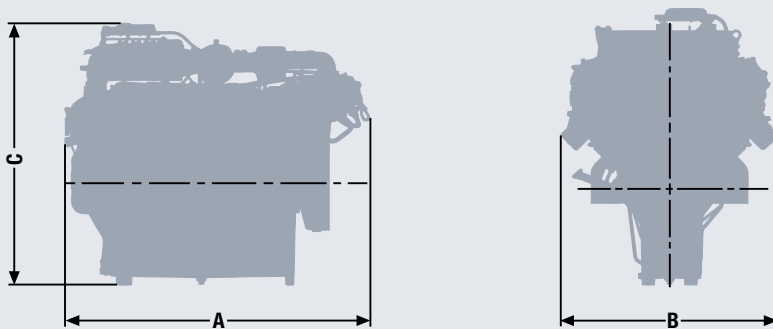
2) with 5 % exhaust-gas oxygen

3) m = lean, st = stoichiometric

4) Data conditional and on request

5) in accordance with German Industrial Standard DIN ISO 3046, Part 1

Technical data is based on a calorific fuel value of 10 kWh/Nm³ for natural gas and 6 kWh/Nm³ for special gas. The values are provided for information purposes only and are non-binding.

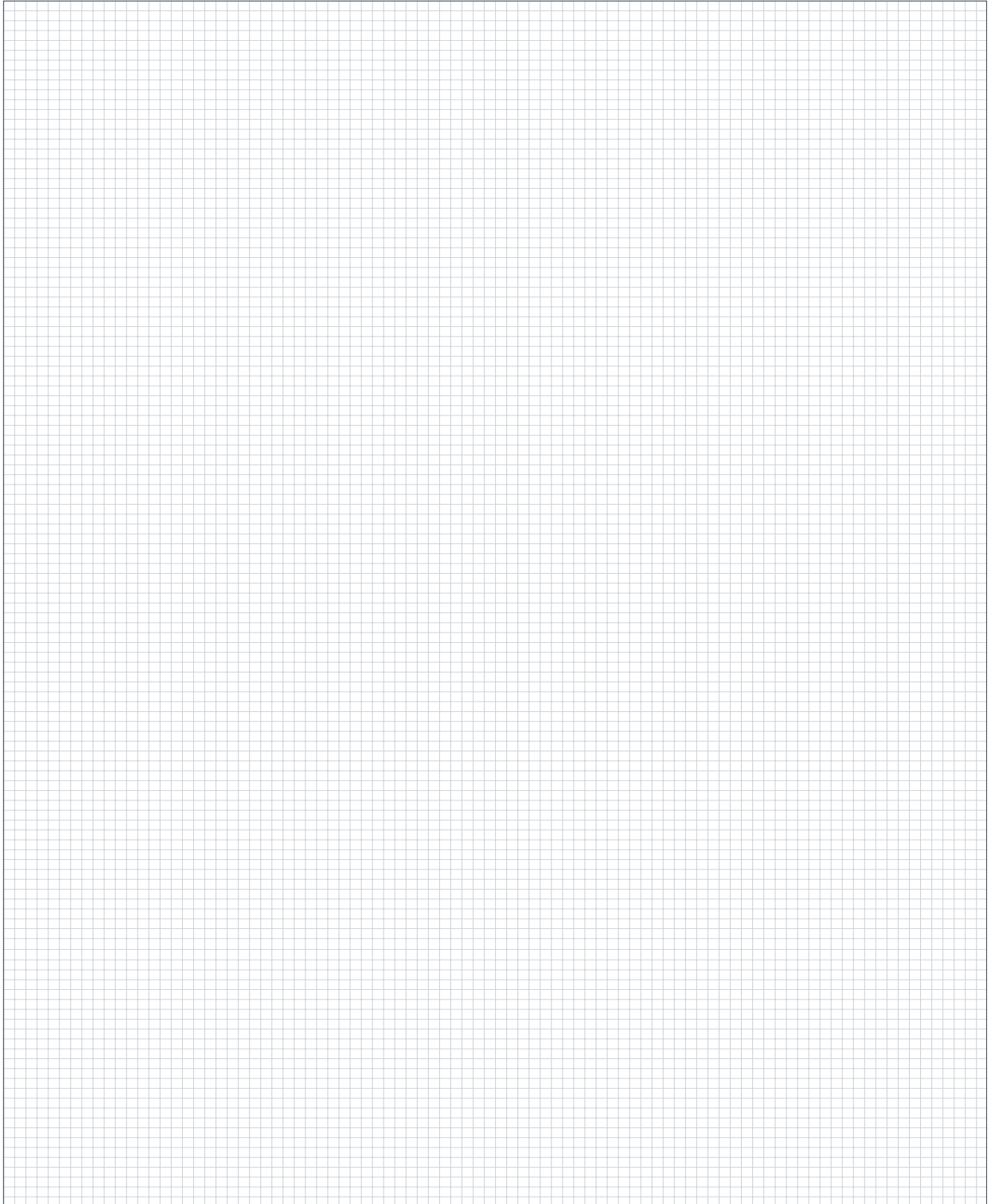


Dimensions E3262

Type designation		E 302	LE 202/LE 212
A-Overall length	mm	1 743	1 748
B-Overall width	mm	1 245	1 243
C-Overall height	mm	1 494	1 500
Dry weight	kg	1 763	1 849

All data are reference values. Please request installation drawings for detailed specifications.

Notes



MAN Truck & Bus AG

Vogelweiherstr. 33
90441 Nuremberg, Germany
man-engines@man.eu
www.man-engines.com

D 114.594/e · mu 10153 · Printed in Germany

All data provided in this document is non-binding. This data serves informational purposes only and is especially not guaranteed in any way. Depending upon the subsequent specific individual projects, the relevant data may be subject to changes and will be assessed and determined individually for each project. This will depend on the particular characteristics of each individual project, especially specific site and operational conditions.

MAN Truck & Bus – a member of the MAN Group